

INFORMATION BULLETIN

ORDER FORMS UPDATE Effective December 3, 2018

Amysystems launched a new series of order forms to highlight select product features and to ensure our MSRP has parity with the market. The MSRP on selected products was raised to ensure our cost was acceptable to multiple reimbursement methodologies. On that basis, the secondary discounts on these options have increased proportionately to maintain the same net price. These changes do not constitute a price increase.

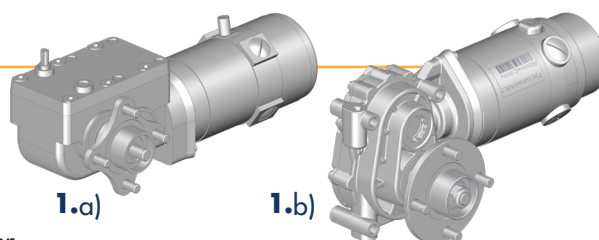
THE FOLLOWING NEW PRODUCT OPTIONS WERE ADDED TO SPECIFIC MODELS:

1. New motor options

Brake release motors are available for HCPCS codes: K0848, K0856 and K0861

- Applies to Alltrack M3, R3 and P3 models

- a) **COG release motors** are now a charged option. However, the overall cost of the chair, when discounts are applied, remains unchanged.
- b) **Brake release motors** (now offered with multiple power code K0861) will reduce the net cost of the wheelchair in situations where funding is greatly reduced or for consumers who prefer a brake release. These new 4-pole motors are made of equal quality as our current COG release motors, by the same German manufacturer we've always relied on.



2. New power elevating center mount

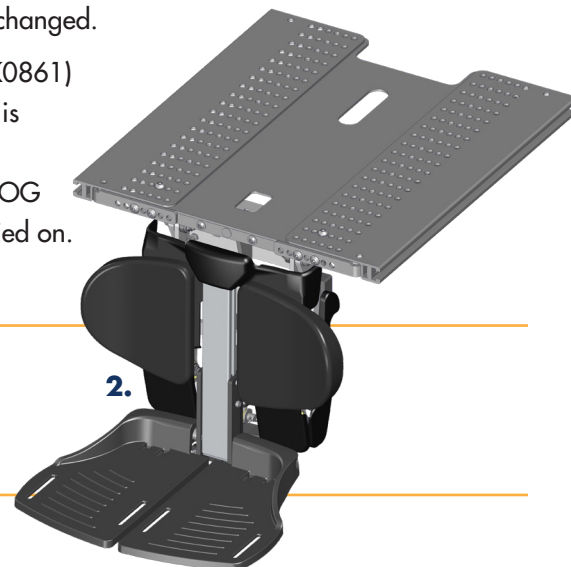
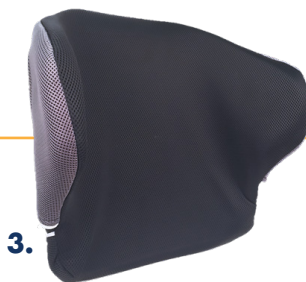
(Shipping as of December 10th, 2018)

- Applies to all wheelchair models

3. NXT 6" Deep positioning back

(coded E2620 and E2621)

- Applies to all wheelchair models



4. New HD quad spring tilt system.

- Applies to Alltrack M3(HD) and R3(HD) models

