

INSTRUCTION GUIDE

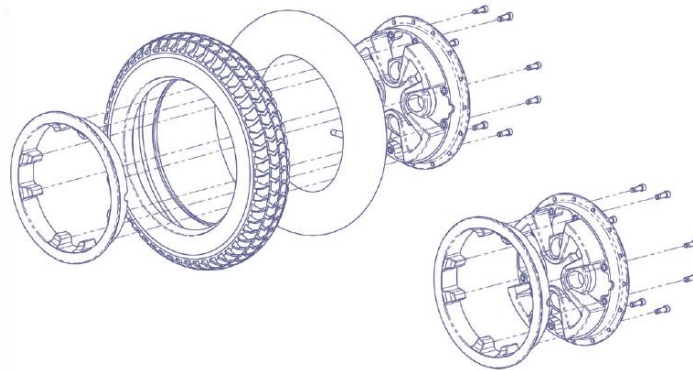
REPAIRING OR REPLACING A TIRE OR A CASTER WHEEL

INTRODUCTION

Worn or damaged tires can become unbalanced and put the wheelchair user at risk of injury. An unbalanced or damaged tire can lead to the wheelchair tipping over. The following information will help you with wheel and tire repair or replacement on the Alltrack power wheelchairs.

! WARNING

Residual air pressure in tires can cause severe injury. Make sure you release all air in tire before attempting to service or repair tires.



FOR 14" AND 12.5" DRIVE WHEELS

- Elevate and securely support power wheelchair so that wheel is off the ground. **Release all air from tire.**
- Remove four (4) lug nuts from rim using a 5/8" socket wrench.
- Make sure all air has been removed from tire.** Remove the eight bolts inside the rim with a 5 mm Allen key. Separate two halves of rim.
- Repair or replace inner tube. Reassemble the wheel.
- Inflate tire to proper pressure level (Shown on tire sidewall).

FOR 6" (135 MM) CASTER WHEELS

- Remove caster wheel from fork using a 1/2" (12 mm) wrench.
- Remove four bolts from rim using a # 3 Phillips screwdriver. Separate two halves of rim.
- Replace tire.
- Reassemble the caster wheel making sure the bearing spacer is in place and all four bolts are well tightened.
- Mount caster wheel onto fork. Install washers correctly and tighten bolts.

TO PREVENT TIRE DAMAGE: Use a hand pump (or low volume air pump) to inflate tires. Check pressure with tire gauge.